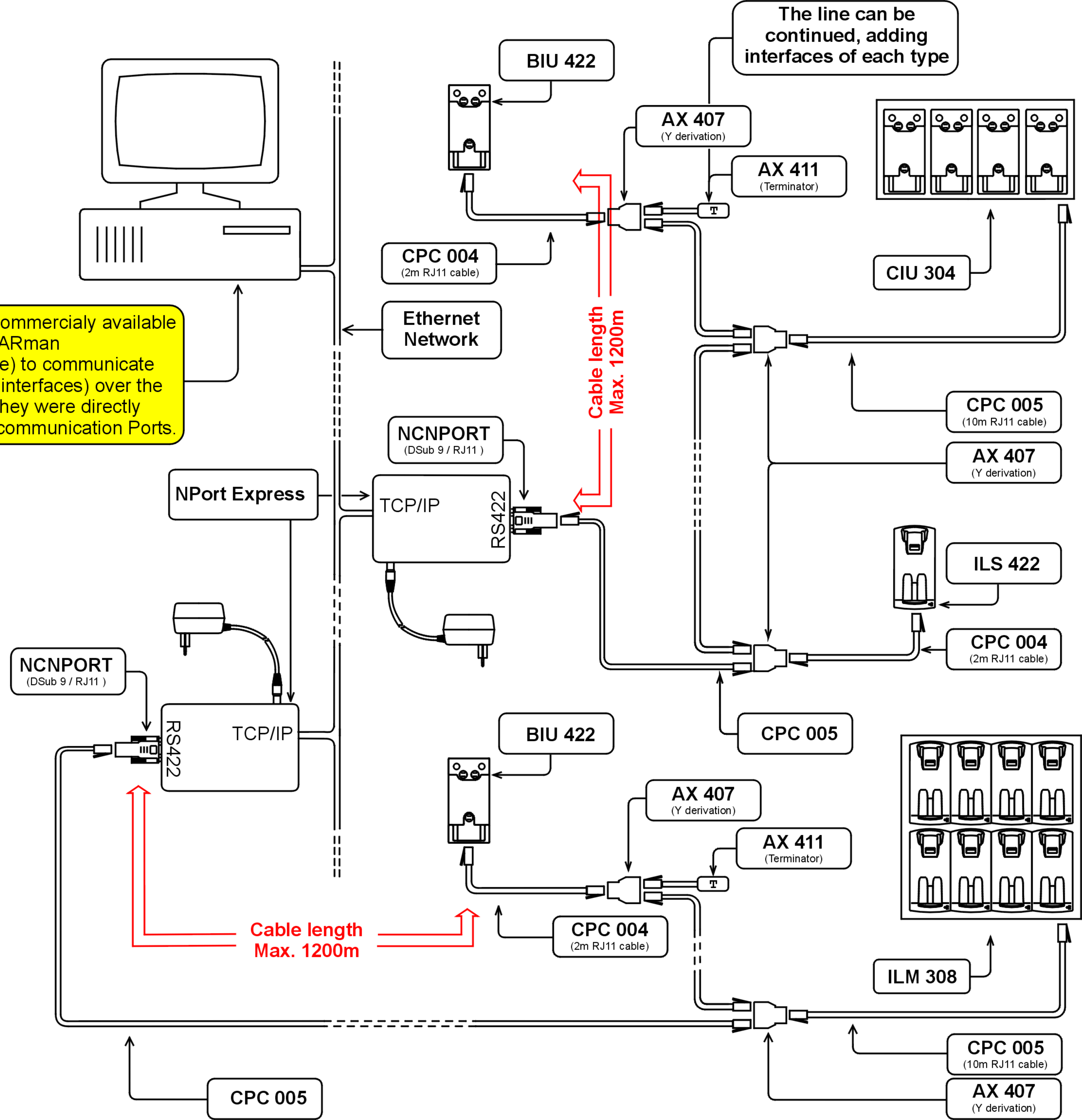


NPort Express allows commercial available software application (BARman communication software) to communicate with devices (BARman interfaces) over the Ethernet network as if they were directly connected to the PC's communication Ports.



The line can be continued, adding interfaces of each type

Cable length Max. 1200m

Cable length Max. 1200m

CPC 005

CPC 005 (10m RJ11 cable)

AX 407 (Y derivation)

ILM 308

CPC 005

AX 407 (Y derivation)

AX 411 (Terminator)

BIU 422

CPC 004 (2m RJ11 cable)

NCNPORT (DSub 9 / RJ11)

TCP/IP RS422

NPort Express

NCNPORT (DSub 9 / RJ11)

Ethernet Network

CPC 004 (2m RJ11 cable)

AX 407 (Y derivation)

AX 411 (Terminator)

BIU 422

CIU 304

CPC 005 (10m RJ11 cable)

AX 407 (Y derivation)

ILS 422

CPC 004 (2m RJ11 cable)

The line can be continued, adding interfaces of each type